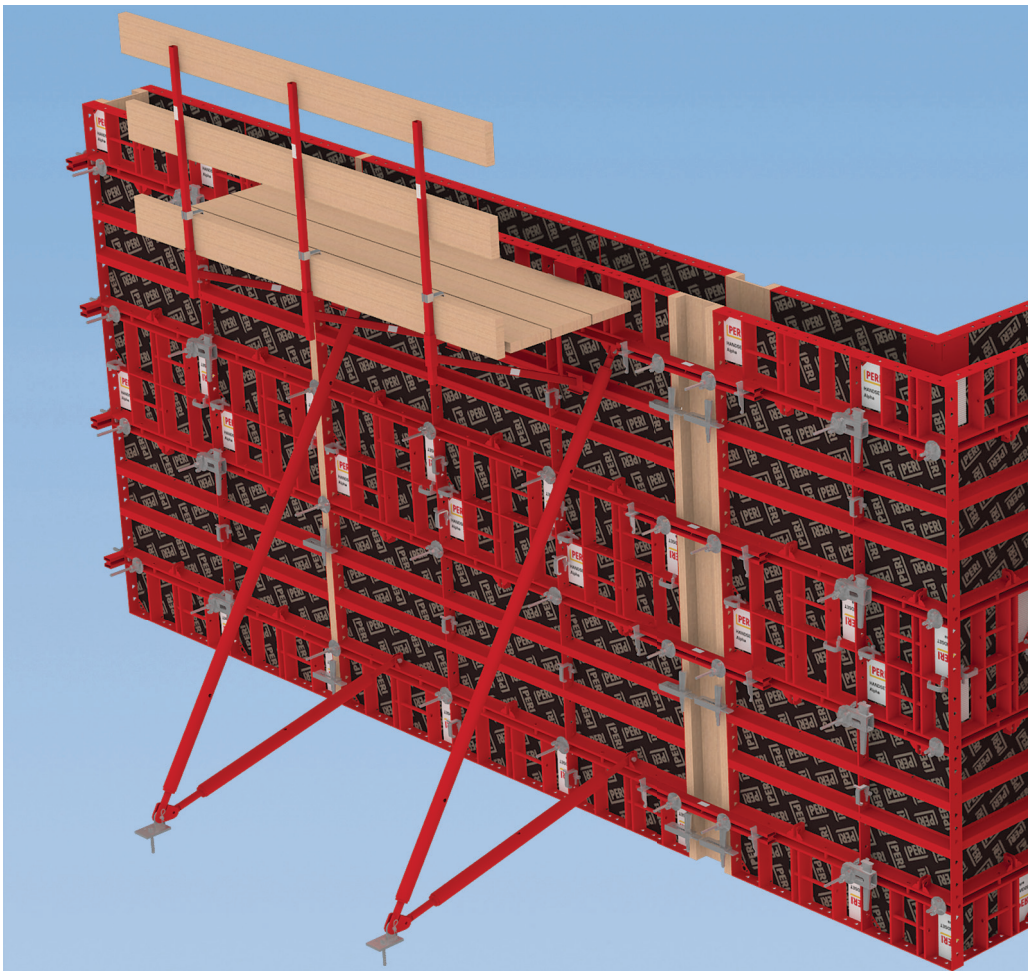


HANDSET Alpha

Lightweight panel formwork system

Product Brochure



HANDSET Alpha

The lightweight panel formwork system with unique panel to panel connections

PERI HANDSET Alpha is a modular panel formwork system suited for various wall and column applications. It is designed in such a way that all panels are multi-purpose panels that can be used in any direction.

With 2 sizes in height and 3 sizes in width, it offers all possible configurations to meet different pour height requirements with less unutilized formwork area. Therefore it is an efficient and economic system for construction site application.

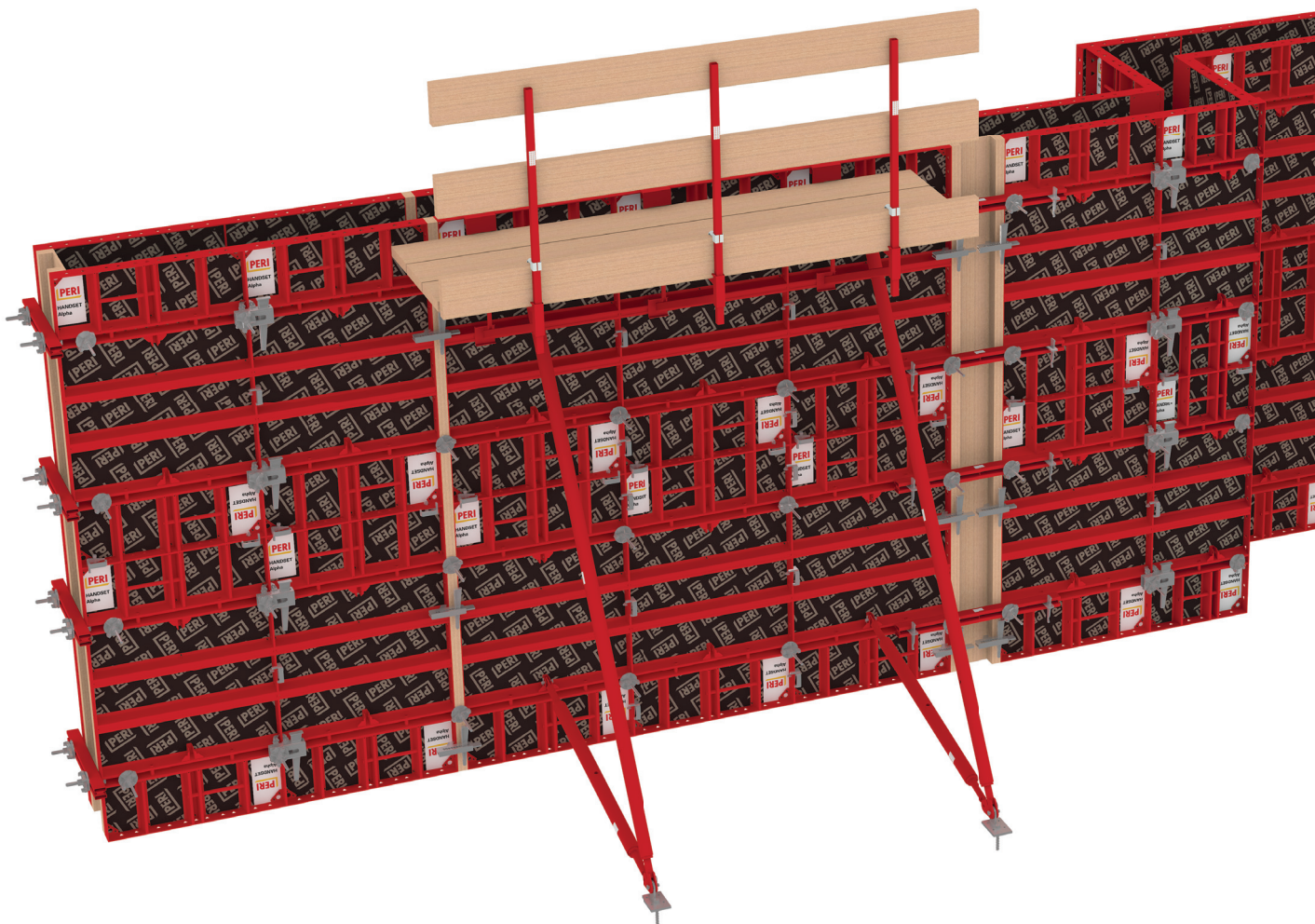
HANDSET Alpha provides the highest flexibility in the construction of walls and different sizes of columns with optimal material utilization and easy handling by only two people.

The system meets all requirements with infills up to 30 cm, 90 degree internal and external corners, T-junctions and stop-ends.

It withstands concrete pressure up to 60 kN/m² for walls, 75 kN/m² for columns (up to 600 x 600) and 60 kN/m² for columns (from 650 x 650 to 900 x 900) according to DIN EN18218 (evenness: line 6 in accordance with DIN EN18202).

The panel is made of high-grade steel frames and 12 mm ply with phenolic resin which makes the system very robust. It also offers smooth concrete finish.

The low individual weights of the elements allow easy assembly and dismantling by hand with minimal training effort. This makes the system very efficient even during non-availability of crane.



Fast working operations

Ideal sizes of multi-panels, very few components and multi-applications

Easy and simple connections

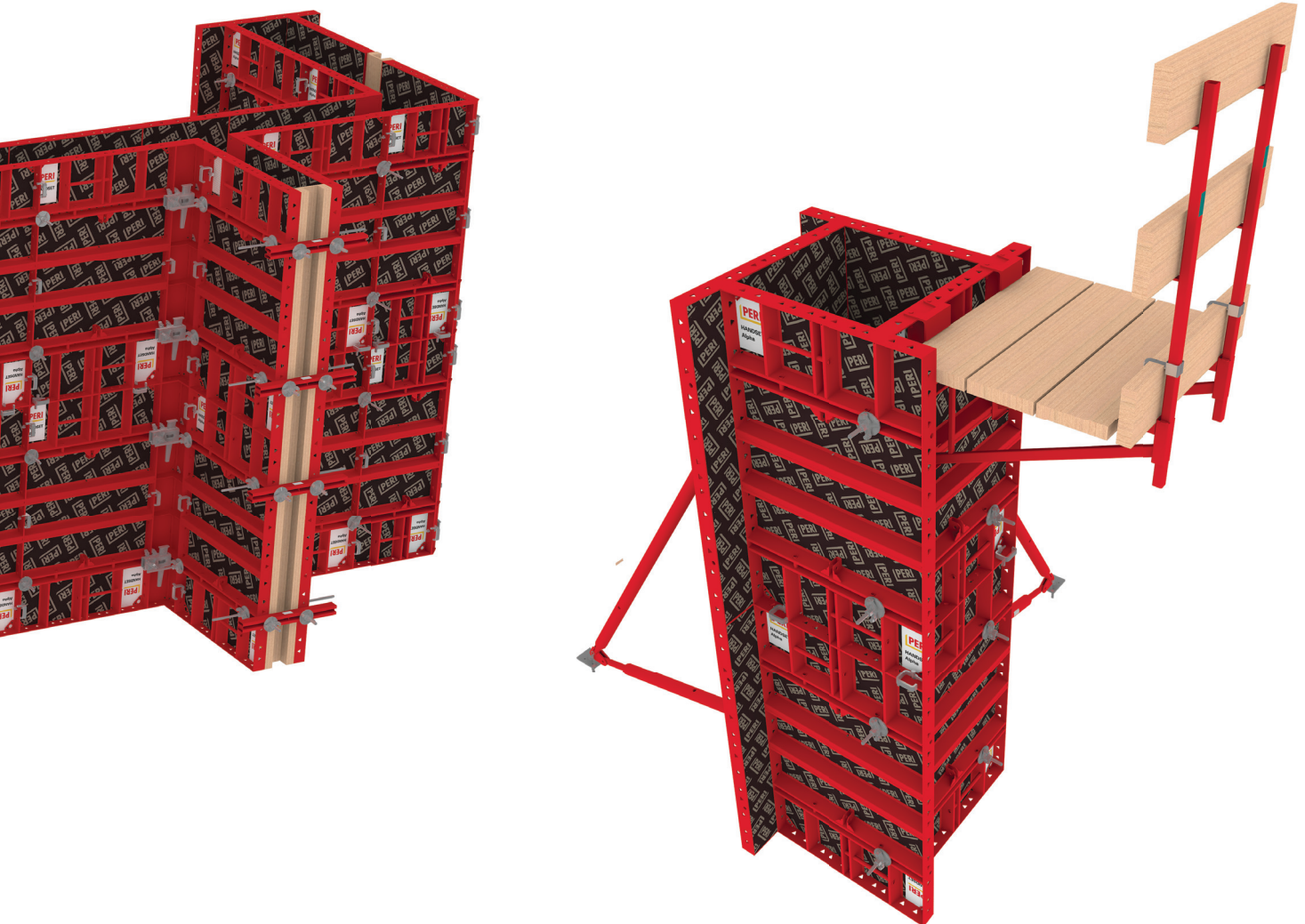
Unique alignment coupler or wedge clip for all panel connections and in-built brace connector for connecting the push-pull props

Cost-effectiveness

Optimum panel sizes to ensure effective utilization and better productivity

Ergonomic in all aspects

Lightweight panels with integrated handles, crane-free working at site

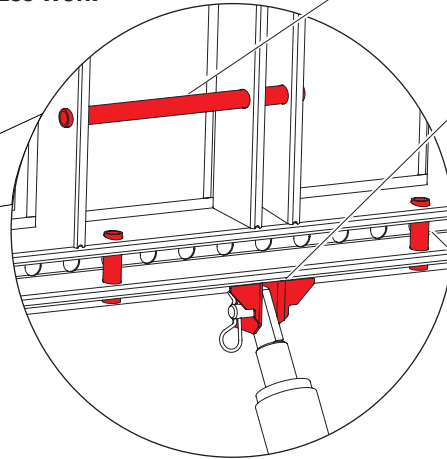
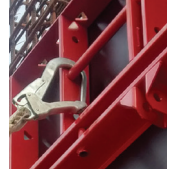


Fast working operations

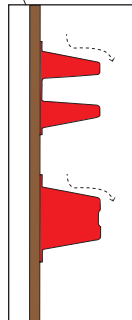
Each standard panel is simultaneously a multi-purpose panel

HANDSET Alpha panels are fitted with anchor strut with multi-holes that increases the system's range of applications. Through this, the panels can also be used for beams and foundations. This optimizes work preparation and storage of materials.

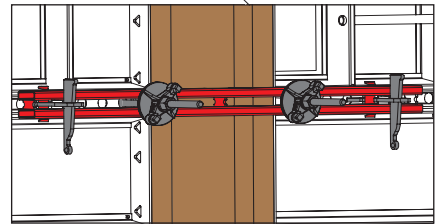
Integrated ergonomic handle that allow easy handling and also can be used for connecting your PPE.



In-built brace connector for fixing the push-pull props.



The stiffeners are closed and sloping outwards that increases the robustness of the panel. Also, it helps to prevent accumulation of slurry on the panel during concreting.

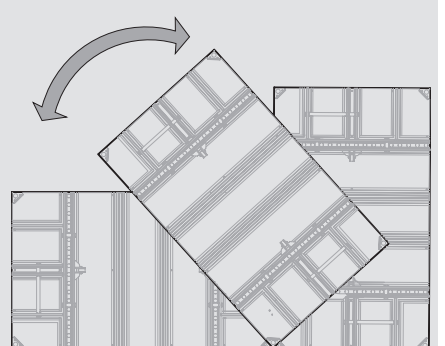


Stiffener pipe connects compensation water for infill areas and also it gives robustness to anchor strut.

HANDSET Alpha Various height possibilities



HANDSET Alpha Flexibility



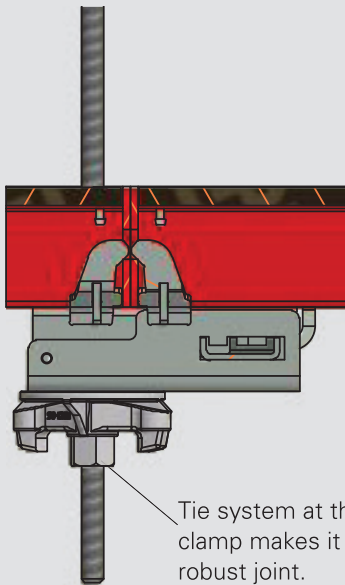
The panel can be used in horizontal as well as vertical direction.

Easy and simple connections

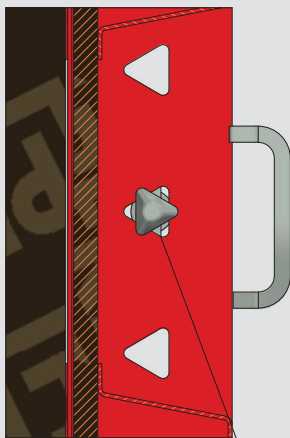
Unique alignment clamp or wedge clip for panel connections

HANDSET Alpha is revolutionising the way walls and columns are formed on construction site. Thanks to its simple design, easy handling and quick assembly with very few components.

Fewer system parts means not only less investment costs. Rather, a smaller number of individual components in day-to-day activities bring numerous advantages.



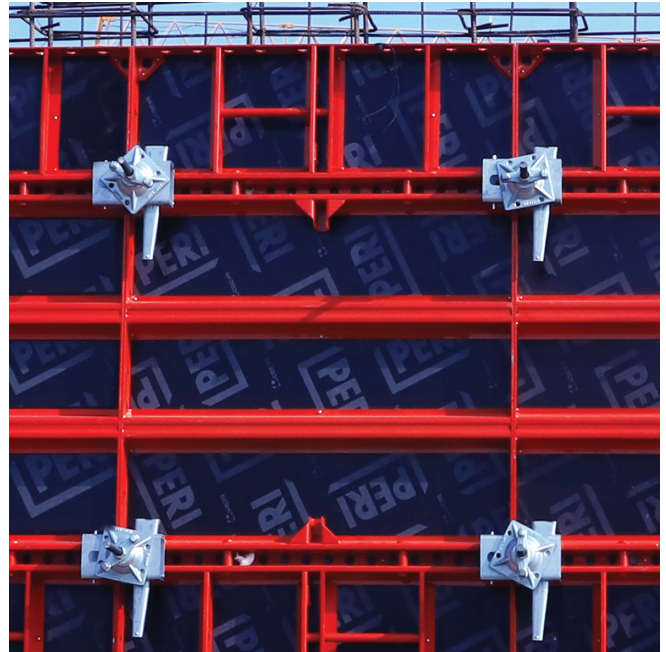
Tie system at the same location as the clamp makes it a perfect aligned and robust joint.



The triangular slot in panel has a three point of contact that ensures better rigidity and tightness when the wedge clip is locked into position.

An innovative and unique Alignment Clamp which not only connects the panels but also aligns the system without any additional walers using the same triangular slots in the panel frame.

The Alignment Clamp is used on standard panel joints, corners, T-junctions and wall offsets.



Unique clip with captive wedge and triangular head fits into the triangular slots in the panel.

The lightweight and easy to handle Wedge Clip is used on standard panel joints, corners, T-junctions and wall offsets.



Geometrical adjustments with very few components

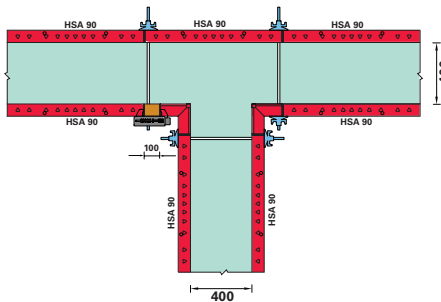
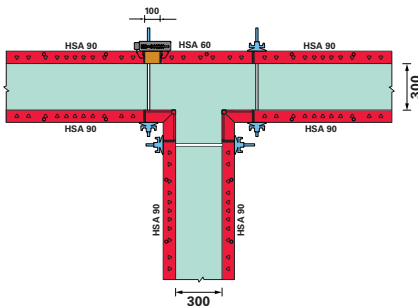
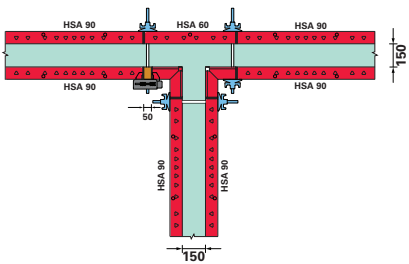
Forming of corners, T-junctions and wall offsets

All required adjustments for 90° corners, T-junctions as well as wall offsets can be realized with very few system components.

The robust internal corner with a width of 20 cm makes an important contribution for reducing the number of system components to form 90° corners, T-junctions and Wall offsets.

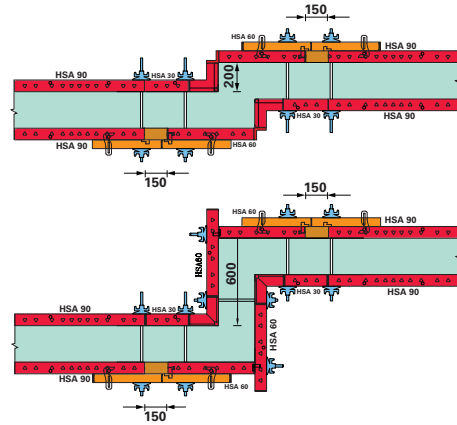
T-junctions

Wall thickness of various dimensions can be formed using internal corner and if needed compensation clamp for infills.



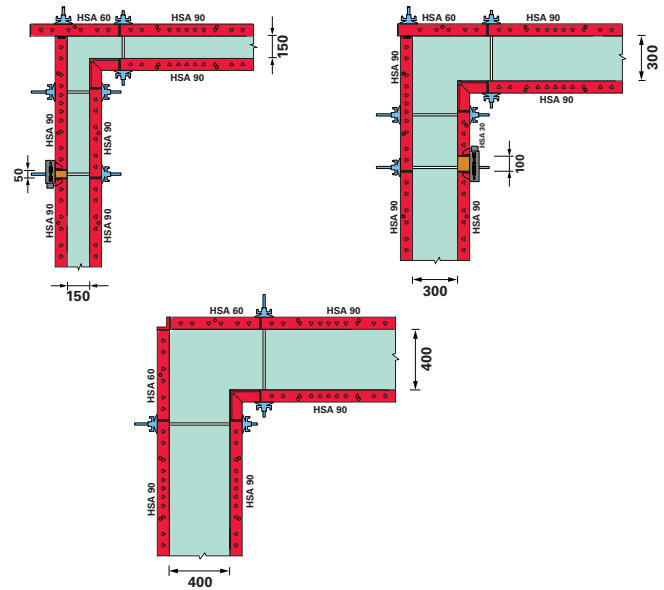
Wall offsets

Wall thickness of various dimensions can be formed using internal corner.

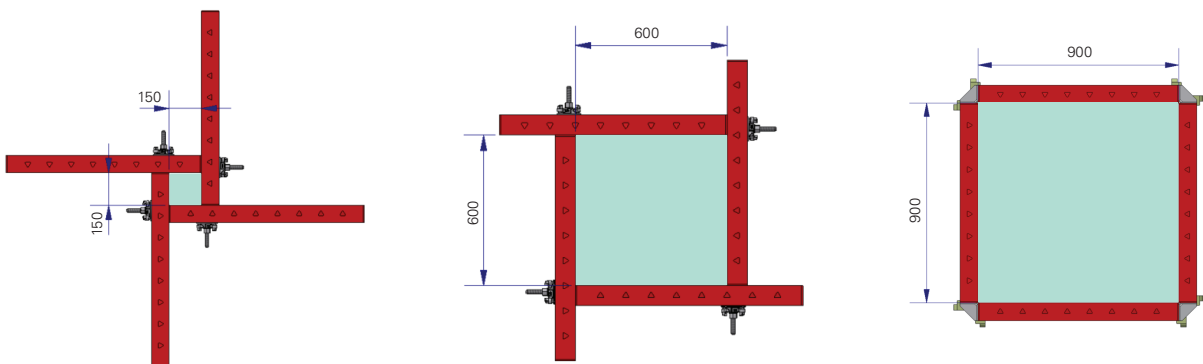


90° corner

Wall thickness of various dimensions can be formed using multi panel externally and internal corner on the inside.



Columns with dimensions ranging from 150 x 150 mm up to 900 x 900 mm can be formed using 900 mm wide panel, without requiring any special panels.

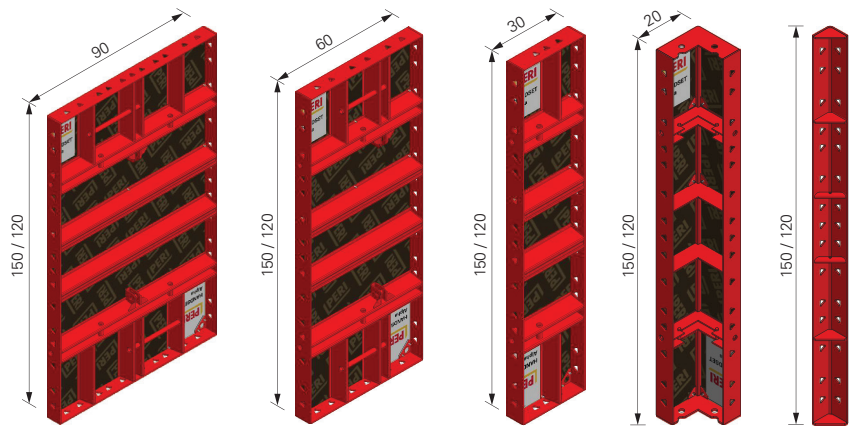


Component list

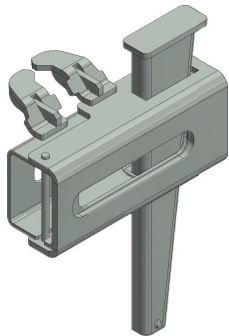
Weight (kg)

HANDSET Alpha Panels (with 12 mm plywood)

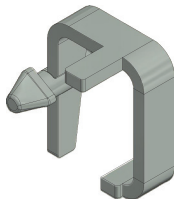
46.5	Panel HSA 150 x 90
34.8	Panel HSA 150 x 60
20.5	Panel HSA 150 x 30
39.2	Panel HSA 120 x 90
29.2	Panel HSA 120 x 60
17.0	Panel HSA 120 x 30
21.5	Internal Corner HSA 150
17.7	Internal Corner HSA 120
9.2	External Corner HSA 150
7.4	External Corner HSA 120



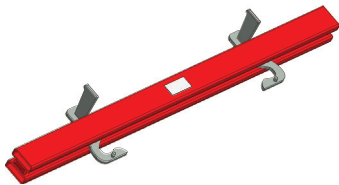
2.5 Alignment Clamp HSA



0.4 Wedge Clip HSA

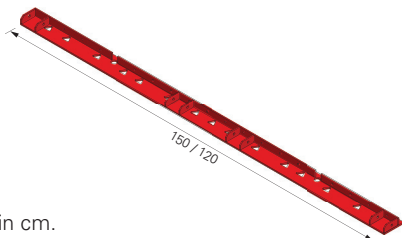


5.7 Compensation Waler HSA 95

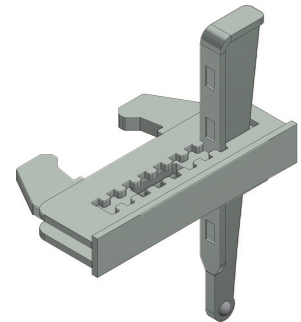


5.9 Filler Support 18 HFS 150

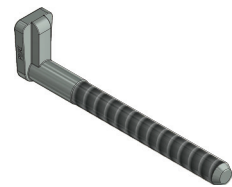
4.7 Filler Support 18 HFS 120



1.94 Compensation Clamp HSA

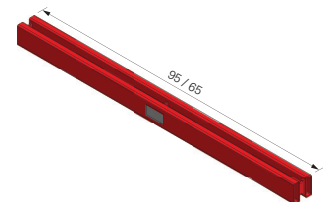


0.4 Corner Connector DW 15



4.4 Stopend Waler HSA 95

3.0 Stopend Waler HSA 65



7.3 Scaffold Bracket HSA 80



Note: All dimension in cm.

The optimal system for every project and every requirement

ALPHADECK



The modular aluminium slab formwork system with economic and faster cycle times

PERI UP MI



Modular shoring and scaffolding system for every application

ALPHAKIT



Construction kit for truss girders and shoring towers in medium heavy bridge construction

SERVICES



PERI also offers a range of individual services to support your project, including engineering, professional project support, logistics and repair services.



PERI (India) Pvt. Ltd
Formwork Scaffolding Engineering
1406, DLH Park, S.V. Road,
Goregaon (W), Mumbai
Maharashtra - 400062
Tel. +91 (22) 2876 7400
info@peri.in
www.peri.in

